

Illustrated Parts Manual

RL205H/207H

20" Homeowner Reel Mower

This model was produced between about 1968 and 2003. Some but not all parts are interchangeable with the newer homeowner model that began in 2014. Be sure to know which model you have before ordering parts.



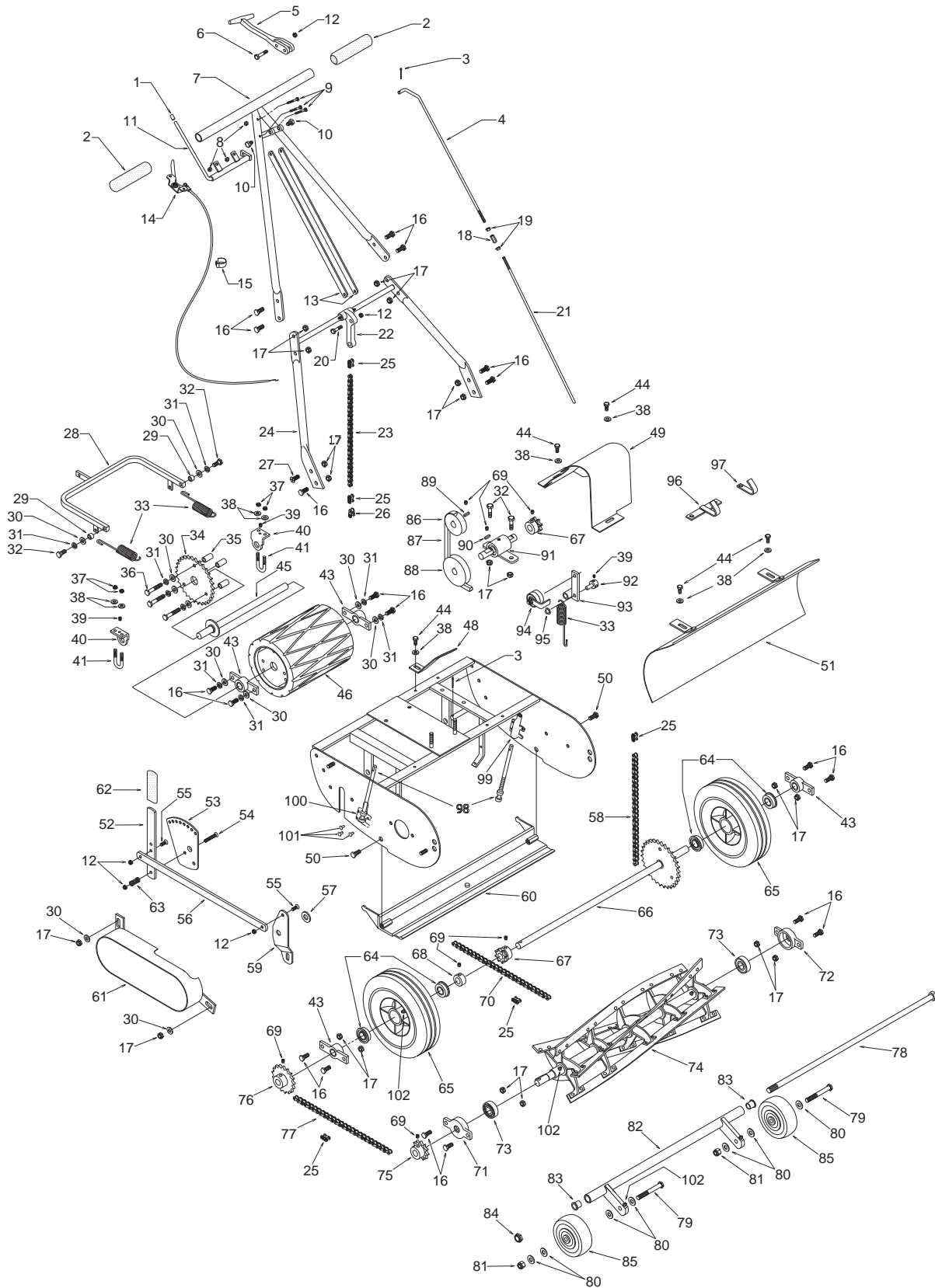
Original
(Before 2003)



New
(2014 - Present)

EVERGREEN
TURF EQUIPMENT

1028 4th Street SW, Bldg A • Auburn, WA 98001 • Phone: (253) 333-3345 • Fax: (253) 414-1293



PARTS INFORMATION

RL205H/207H

PART NUMBER LISTING

ITEM	PART NUMBER	DESCRIPTION	QTY	COMMENTS
1	H0506	LEVER TIP (RED)	1	
2	25502	GRIP, HANDLE	2	
3	931	COTTER PIN, 3/32 x 3/4 Z	2	
4	H0507-2	CLUTCH ROD KIT, HO, 2-PIECE	1	Kit incl top, bottom, coupling & nuts
5	H0503	HANDLE, ROLLER LIFT	1	Black Only
6	905	BOLT, 1/4-28 x 1-1/4 HEX CAP	1	
7	H0501ST	HANDLE, TOP	1	Currently not available
8	919	NUT, 10-32 NTE TIN NYLON Z	3	
9	901	BOLT, 10-32 x 1-1/4 PH PAN	3	
10	H0504	BOLT, TRUNNION 5/16-18	2	
11	H0505	LEVER, CLUTCH	1	
12	944	NUT, 1/4-28 THIN NYLOCK	4	
13	H0510	STRAP SET, ROLLER LIFT	1	
14	H0508	THROTTLE LEVER ASSY	1	
15	947	THROTTLE WIRE HOLDER	1	
16	909	BOLT, 5/16-24 x 3/4 HX G5 Z	23	
17	922	NUT, 5/16-24 THIN NYLOCK	20	
18	950	NUT, 1/4", COUPLING	1	
19	920	NUT, 1/4-28 HEX Z	2	
20	021	BOLT, 1/4-28 x 1" HHCS	1	
21	H0507-2	CLUTCH ROD KIT, HO, 2-PIECE	1	Kit incl top, bottom, coupling & nuts
22	H0512	TOGGLE	1	
23	H0609	CHAIN, LIFT, HO	1	
24	H0501SB	HANDLE, BOTTOM	1	Currently not available
25	H0806	LINK, CONN #41	5	
26	H0807	LINK, HALF #41	1	
27	941	SCREW, 5/16 x 5/8 RND SLOT M/S	1	
28	H0607	ROLLER YOKE, OLD HO	1	
29	H0608	BUSHING, YOKE	2	
30	928	WASHER, 5/16 SAE FLAT Z	11	
31	927	WASHER, 5/16 SPLIT LOCK	9	
32	910	BOLT, 5/16-24 x 7/8 HX G5 Z	4	
33	H0610	SPRING, ROLLER	3	
34	H0605	SPROCKET, ROLLER, LARGE, 30T	1	NLA, Change sprockets and chain to #40
35	H0606	SPACER, SPROCKET, HO	3	
36	913	BOLT, 5/16-24 x 1-3/4 HX G5 Z	3	
37	007	NUT, 1/4-20 NYLOCK STD	4	
38	948	WASHER, 1/4 SAE FLAT Z	9	
39	934	SET SCREW, 1/4-20 x 1/4 SOC SET	3	
40	H0604	CLAMP, ROLLER	2	
41	603	U-BOLT 1/44-28 ROUND, W/HDWE	2	
43	H0304	HOLDER, BEARING, 2-EAR W-5/8" BRG	4	With ball bearing installed
44	903	BOLT, 1/4-28 x 1/2 HX G5 Z	5	
45	H0602	SHAFT, ROLLER HO	1	
46	H0601	8" ROLLER, HO	1	
48	H0706	GUARD, BELT HO	1	
49	H0408	GUARD, ENGINE CHAIN HO	1	
50	915	SCREW, 3/8-24 x 1", HEX CAP GR5, ZINC	2	
51	H0402N	SHIELD, GRASS HO	1	

PARTS INFORMATION

RL205H/207H

PART NUMBER LISTING

ITEM	PART NUMBER	DESCRIPTION	QTY	COMMENTS
52	H0422	HANDLE, HEIGHT ADJUST	1	
53	H0421	BRACKET, HEIGHT ADJUST	1	
54	942	SCREW, 1/4-28 x 1-1/2 PHIL FL	1	
55	943	BOLT, 1/4-28 x 3/4 FL SOC P	2	
56	H0426	CONNECTOR	1	
57	930	WASHER, 1/2 SAE FLAT G9 Z	1	
58	H0407	CHAIN, ENGINE, OLD HO, 41x38	1	
59	H0424	BRACKET, FRONT	1	
60	H0401-K	BED KNIFE KIT, HO	1	Includes replaceable bed knife (#20401)
61	H0410	GUARD, CHAIN REEL	1	Dark Green Only
62	H0423	GRIP, FLAT	1	
63	H0425	SPRING, HEIGHT ADJUSTER	1	
64	H0307	BEARING, WHEEL	4	Fits 5/8" drive shaft
65	H0306	TIRE ASSY W/BEARING HO	2	Fits 5/8" drive shaft
66	H0301	SHAFT, DRIVE, 5/8" HO	1	
67	H0309	SPROCKET, 8T x 5/8 HO	2	Includes set screws
67	H0816	SPROCKET, 9T x 5/8, HO	1	Includes set screws
67	H0818	SPROCKET, 10T x 5/8, HO	1	Includes set screws
68	H0305	COLLAR, HO	1	Includes set screws
69	935	SET SCREW, 5/16-24 x 5/16 KNURLED	6	
70	20611	CHAIN, ROLLER, OLD HO, 41x36	1	
71	H0204N	HOLDER, REEL BEARING, RIGHT, HO	1	
72	H0203	HOLDER, REEL BEARING, LEFT, HO	1	
73	H0202	BEARING, REEL	1	
74	H0201-5	BLADE, REEL, 20", 5 BLADE	1	
74	H0201-7	BLADE, REEL, 20", 7 BLADE	1	
75	H0820	SPROCKET, REEL, 11T x 5/8	1	
76	H0310	SPROCKET, REEL, 17T x 5/8	1	
77	H0206	CHAIN, REEL, OLD HO, 41x46	1	
78	H0403	ROD, TIE 20"	1	
79	917	BOLT, CASTER AXLE, 20"	2	
80	929	WASHER, 3/8 SAE FLAT Z	7	
81	908	NUT, 3/8-24 NYLOCK Z	2	
82	H0101N	BRACKET, CASTER, 20"	1	Includes zerk fittings
83	H0106	BUSHING, CASTER BAR	2	
84	924	NUT, 1/2-20 NTE NYLON Z	1	
85	25102-2	CASTER SET (2)	1	Alternative rubber casters 25102-2D
86	H0700	PULLEY, ENGINE, 2-1/2" x 5/8", HO	1	
86	H0700H	PULLEY, ENGINE, 2-1/4 x 3/4, HO	1	Honda engine, 3/4" crankshaft
87	H0705	BELT, 18"	1	
88	H0702	PULLEY, PILLOW BLOCK, 3" x 5/8", HO	1	
89	H0703	KEY, PULLEY	1	
90	H0704	KEY, PULLEY	1	
91	H0707HN	PILLOW BLOCK HOUSING	1	Fits old and new units
91	H0707BN	PILLOW BLOCK BEARING / SHAFT	1	Fits old and new units
92	H0710	SWIVEL	1	
93	H0709	TOGGLE, BELT TIGHTENER, HO	1	
94	H0711	IDLER (FOR BELT TIGHTENER)	1	Bearing set only, angle bracket #H0712
95	925	NUT, PAL	1	Currently not available

PARTS INFORMATION

RL205H/207H

		PART NUMBER LISTING		
ITEM	PART NUMBER	DESCRIPTION	QTY	COMMENTS
96	25803H	HOOK, CATCHER, HONDA	1	
97	H0803	HOOK, CATCHER, BRIGGS	1	
98	H0404	SCREW, MICRO ADJUSTING	2	
99	H0405	BRACKET, ADJUSTER, LEFT	1	
100	H0406	BRACKET, ADJUSTER, RIGHT	1	
101	TBD	RIVET, E3 x .375 STPLSOL	3	NLA, Use H0921, H0922, H0923 to mount
102	H0207	FITTING, GREASE	4	
TBD	20801	GRASS CATCHER, 20"	1	High-density polyethylene

P/N 25102-2 CASTER SET, (2 casters)



Optional Darnell casters provide a smooth yet durable / long lasting ride for your California Trimmer mower.



#H0907 Backlapping Kit

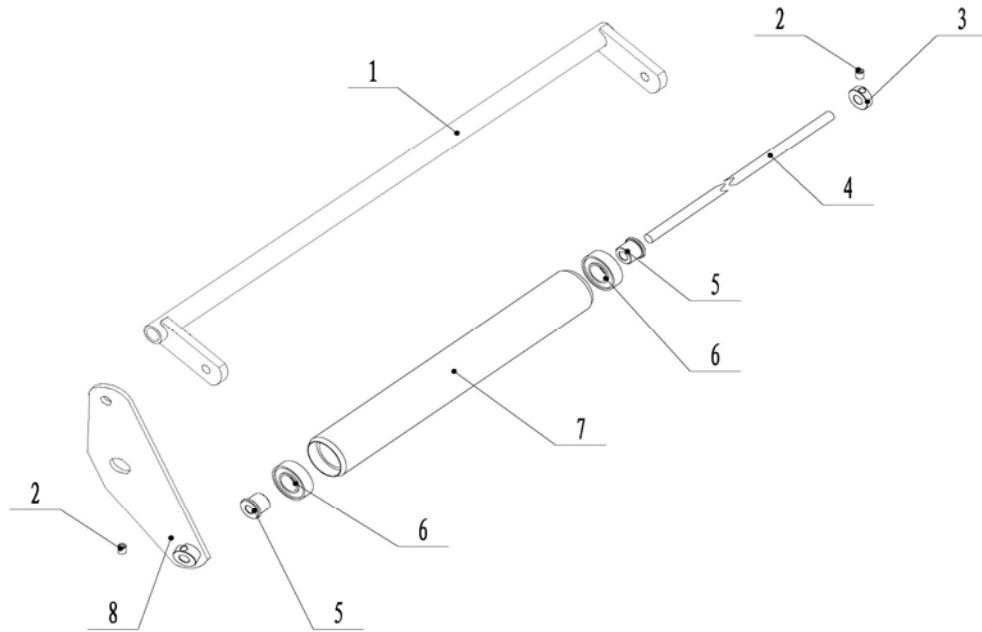
Back lapping does not replace the need to sharpen your reel and bed knife, especially if you have dents or other kinds of blade damage. However, if your blades are in good shape and you want to fine tune (sharpen) the bed knife to reel orientation, this is a good solution. It requires some patience but good instructions are included. The kit also includes a drill adapter, a 10 ounce jar of #80 back lapping compound, a replacement sprocket (#H0820) and a really high end paint brush from Walmart. In a nutshell, back lapping is to run the blades backwards after applying grinding compound. This requires some grinding, then adjusting, more grinding, then adjusting but once you are done you can cut a very thin piece of paper which is the goal.



FR-20 Front Roller, 20"

The FR-20 front roller replaces the caster bar and casters on your 20" Cal Trimmer mower. There are several advantages. First, this adds a little weight to the front of the mower which is desirable for rougher yards. It also makes the blade cut at the highest contour of the yard and prevents the casters from dipping into flower beds. Finally, you get the stripe in the lawn because it lays the grain of the grass in the same direction that you are mowing. The height adjustment and level of height is the same as the original caster wheels.

20/25" Front Roller



FR-20 - 20" Front Roller Assembly

Ref #	Part Number	Description	Qty	Comments
1	H0939	FRAME, FR-20, GREEN	1	
2	935	SET SCREW, 5/16-24 x 5/16 KNURLED	2	
3	H0940	COLLAR, FR-20, FR-25	1	
4	H0941	ROLLER SHAFT, FR-20	1	
5	H0942	BEARING SLEEVE, FR-20, FR-25	2	
6	H0934	BALL BEARING, FR-20, FR-25 ROLLER	2	
7	H0943	ROLLER ONLY, FR-20	1	
8	H0944	BRACKET, GREEN, FR-20, FR-25	1	

FR-25 - 25" Front Roller Assembly

Ref #	Part Number	Description	Qty	Comments
1	H0945	FRAME, FR-25, GREEN	1	
2	935	SET SCREW, 5/16-24 x 5/16 KNURLED	2	
3	H0940	COLLAR, FR-20, FR-25	1	
4	H0946	ROLLER SHAFT, FR-25	1	
5	H0942	BEARING SLEEVE, FR-20, FR-25	2	
6	H0934	BALL BEARING, FR-20, FR-25 ROLLER	2	
7	H0947	ROLLER ONLY, FR-25	1	
8	H0944	BRACKET, GREEN, FR-20, FR-25	1	